

Mega Duty Gooseneck Pole

Models BA780 and BA780XL



customer Service
(800) 247-7668

| PARTS LIST | | | | | |
|------------|-----|----------------------------|------|-----|-----------------------------|
| Item | Qty | Description | Item | Qty | Description |
| A | 1 | Backboard Mounting Bracket | H | 3 | 5/16" Flange Nut |
| B | 3 | 5 9/16" Band Clamp | I | 2 | 7/16" Flat Washer |
| C | 2 | 7/16" x 2" Carriage Bolt | J | 2 | 7/16" Lock Washer |
| D | 2 | 3/8" x 1" Hex Bolt | K | 2 | 7/16" Hex Nut |
| E | 2 | 3/8" Flat Washer | L | 2 | Backboard Brace |
| F | 2 | 3/8" Lock Washer | M | 2 | 1/2" Set Screw, Square Head |
| G | 3 | 5/16" x 2" Carriage Bolt | N | 2 | 1/2" Jam Nut |

- ◆ Inspect all contents prior to installation. Report any missing parts to dealer immediately.
 - ◆ Read all instructions before proceeding.
1. Select the location for the concrete base footing. Dig a 12" diameter hole that is a minimum of 48" deep. In areas where the normal frost line is below 36" it is advisable to dig to the normal frost line. (Consult a local concrete contractor if there is any question).
 2. Make sure that you have a broomstick or similar pole to vibrate air pockets out of concrete. The 12" diameter by 48" deep hole will require approximately 3.25 cubic ft. of 3000 PSI concrete (8 to 10 60# bags of premix concrete). You will need to adjust the amount depending on the size of hole you prepared. Having the proper amount of concrete before you start will ensure proper strength of the footing.
 3. Mix concrete according to the directions on the bag. It is advantageous to have the mixture "wet". This will increase your working time and allow batches to mix in the hole. Pour the hole full to ground level. Attach 5 9/16" Band Clamp (B) with 5/16" X 2" Carriage Bolt (G), and 5/16" Flange Nut (H) to bottom end of pole and insert pole into concrete while vibrating concrete to allow it to surround the pole completely. The pole height from the ground to the bottom of the bend should be 9' 6". (See Figures 1 and 3). **Note: If you are installing the PR78 system with the BA407U 54"x 42" polycarbonate backboard your pole height from the ground to the bottom of the bend should be 9' 6 1/2".**

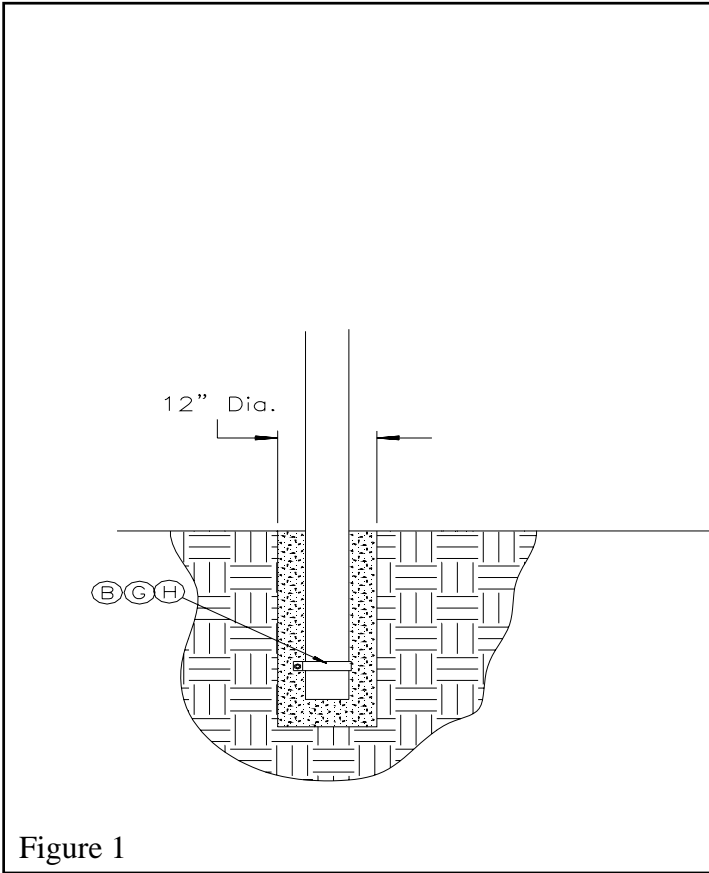


Figure 1

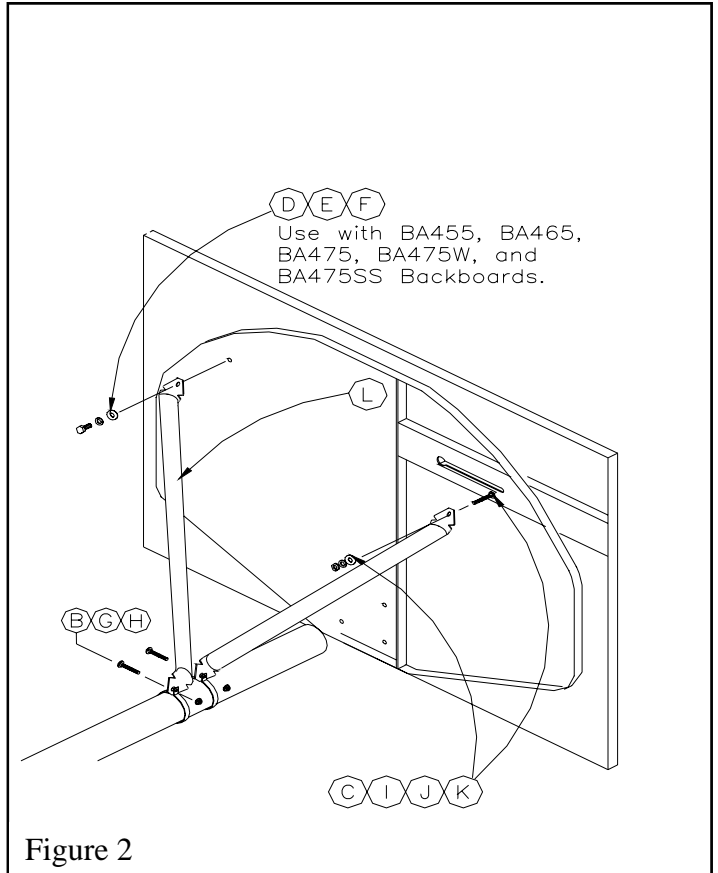


Figure 2

4. Clean excess concrete from pole. Level the pole in the hole and allow the footing to cure for seven (7) days. Only after the concrete has cured for seven days should you proceed.

5. Seven days have passed. Slide the two 5 9/16" Band Clamps (B) on to the gooseneck portion of the pole. Assemble rim and backboard to the Backboard Mounting Bracket (A), then attach the Backboard Mounting Bracket (A) to the end of the pole with 1/2" Square Head Set Screws (M) making sure that the rim and the backboard are level. Fasten Backboard Braces (L) to the backboard with 7/16" X 2" Carriage Bolts (C), 7/16" Flat Washers (I), 7/16" Lock Washers (J) and 7/16" Hex Nuts (K) or with 3/8" X 1" Hex Bolt (D), 3/8" Flat Washers (E) and 3/8" Lock Washers (F) depending upon the style of backboard. See Figures 2 and 3.

| Distance from front of pole to face of backboard | |
|--|---------|
| BA780 | BA780XL |
| 72" | 96" |

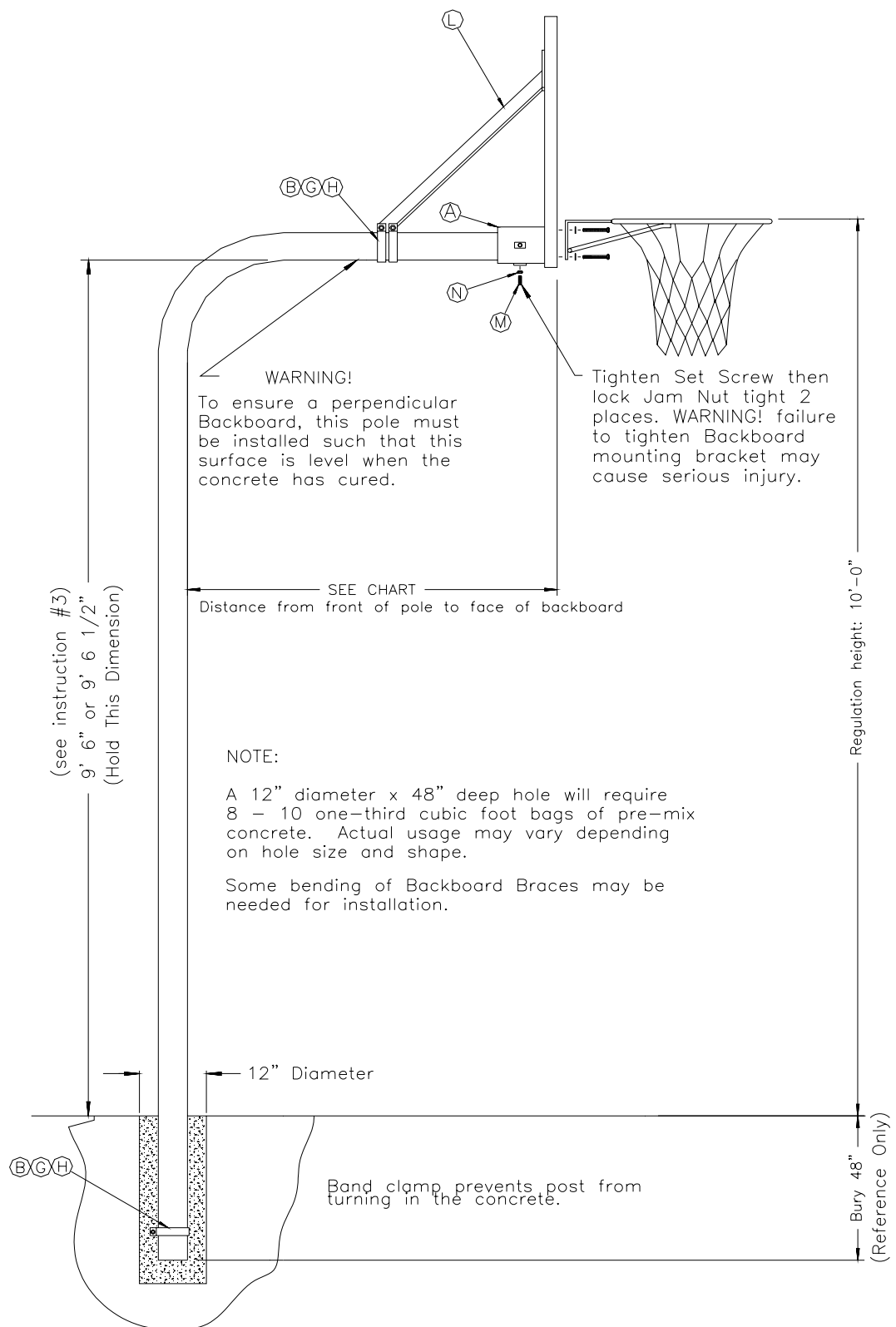


Figure 3



MODEL BA780 ADAPTER

for the Mega Duty Gooseneck Pole

Customer Service
(800) 247-7668

| PARTS LIST | | | | | |
|------------|-----|------------------|------|-----|--------------|
| Item | Qty | Description | Item | Qty | Description |
| A | 1 | Adapter | H | 4 | 3/8" Hex nut |
| B | 4 | 3/8" Flat washer | I | 4 | Acorn nut |
| C | 4 | 3/8" Lock washer | | | |

- ◆ Inspect all contents prior to installation. Report any missing parts to dealer immediately.
- ◆ **Read all instructions before proceeding.**

Notice!!
This adapter plate is used with backboards and goals with a 5" x 4" mount pattern.

1. Assemble the *Adapter* (A) and the *Backboard Mounting Bracket* (See Figure 1), *Backboard*, and *Goal* (sold separately) using *3/8" Flat washers* (B), *Lock washers* (C), and *Nuts* (D).
2. The goal mounting studs are designed to accommodate a variety of backboard and goal combinations. Please install *Acorn nuts* (I) on exposed studs if you are using a goal without a protective cover plate.

